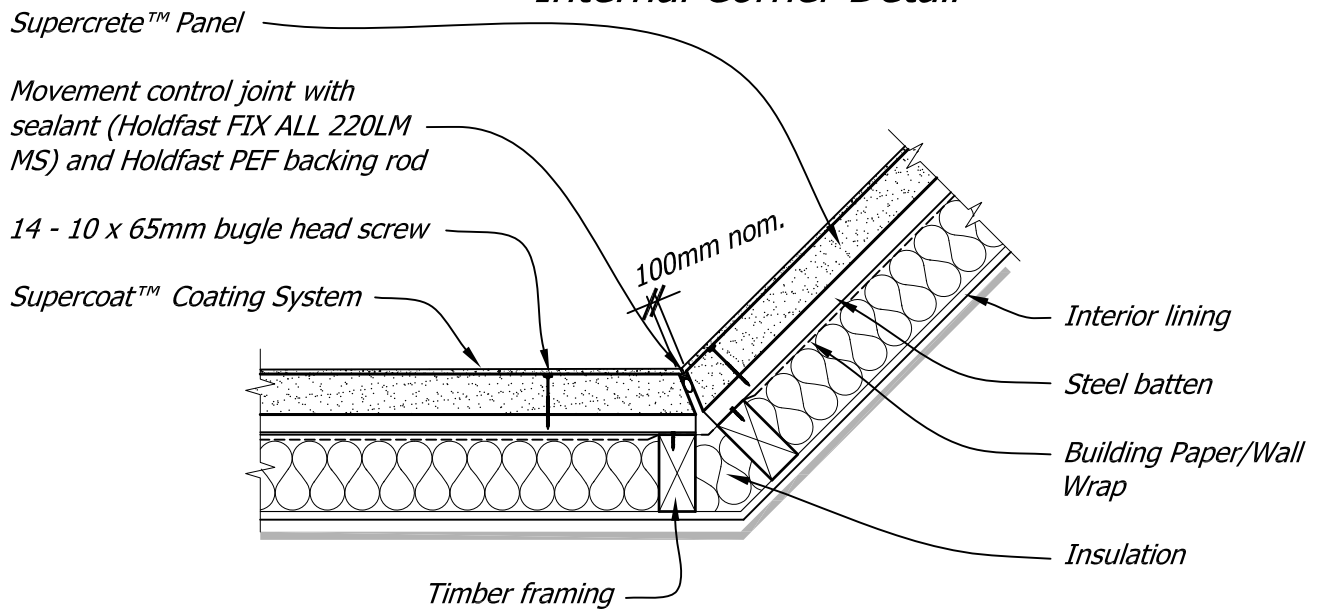


Internal Corner Detail



Internal Angle Corner Detail

*Steelock™ a unique steel top hat batten mounting system.
Thermoseal™ a unique thermally efficient closed cavity cladding system.*

Copyright © Superbuild International Ltd 2013

Supercrete™

**PANEL CLADDING
CONSTRUCTION**

Title:

Internal Corner Control Joint

Date: February 2014

Detail No. SPC 3-5

This drawing must be read in conjunction with the Supercrete Panel Cladding System Design & Installation Guide