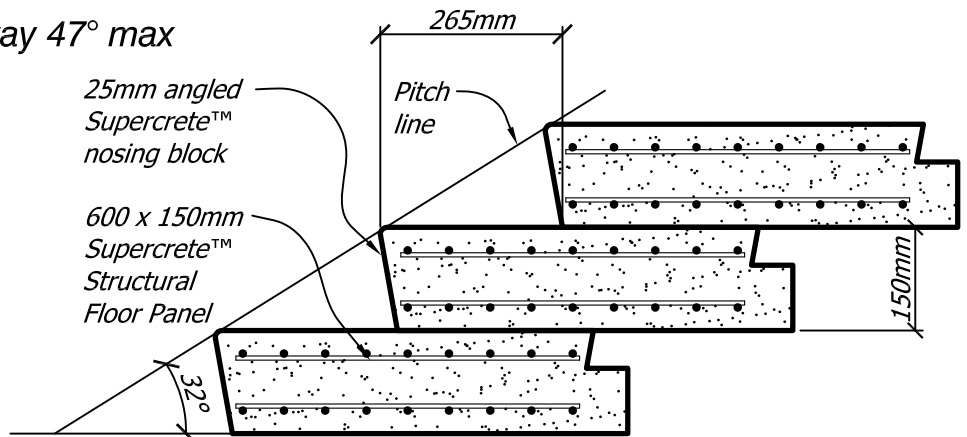
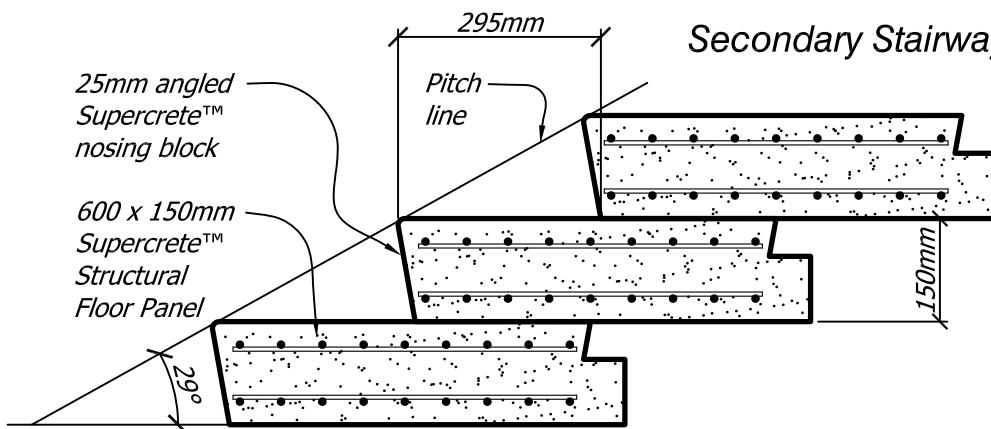


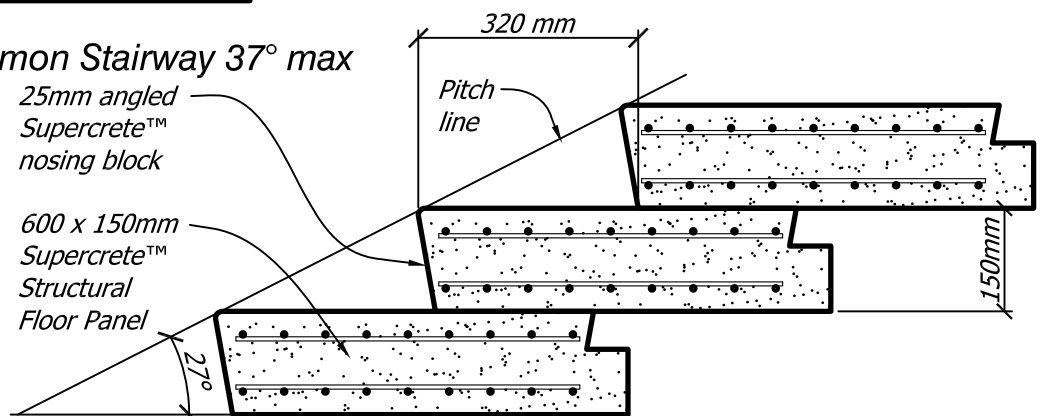
Service Stairway 47° max



Secondary Stairway 41° max



Common Stairway 37° max



Copyright © Superbuild International Ltd 2013 Accessible Stairway 32° max

**Supercrete™**

SFP CONSTRUCTION

Title:

Pitch, Riser & Treads for Supercrete™  
Stair Treads to meet the NZ Building Code

Date: October 2013

Scale: N.T.S.

Detail No. SFP 5-1

This drawing must be read in conjunction with all the Supercrete Structural Floor Panels Design Guide