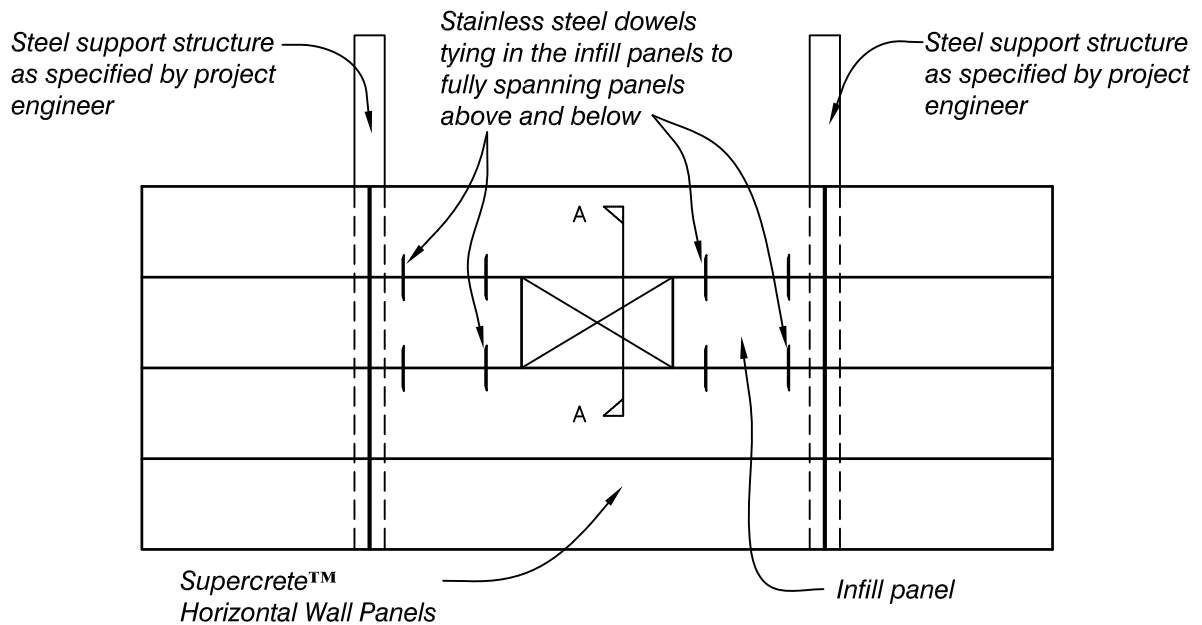


*Isometric View*

**NOTE**

*Panels above and below opening to support wind loads shed from opening and infill panels*



*Elevation View*

**NOTE**

*For Section A-A see Detail 19.3.2*

**Supercrete™**

**CIWS CONSTRUCTION**

Title:

**CIWS Horizontal Single Panel Width Opening**

Date: June 2013

Scale: 1:50

Detail No. 19.3.1

This drawing must be read in conjunction with the Supercrete Commercial & Industrial Wall Systems Design Guide