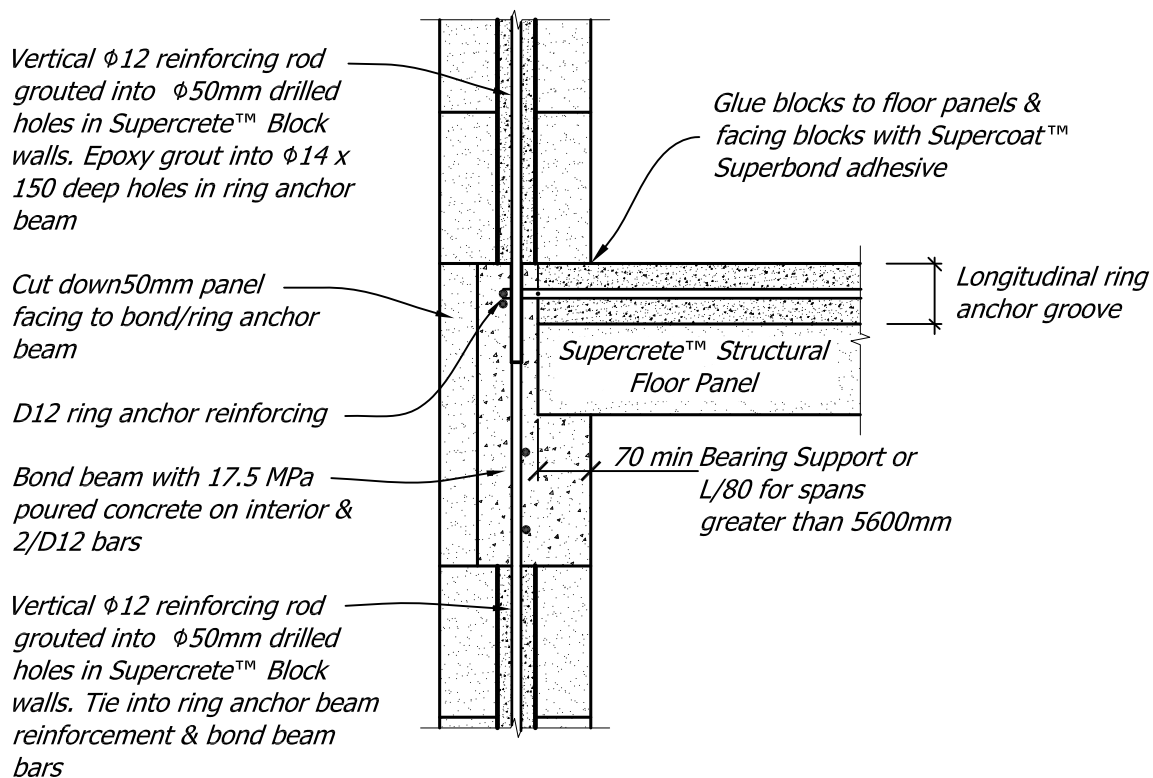


TYPICAL DETAIL FOR FLOOR PANEL TO INTERMEDIATE WALL CONNECTION



TYPICAL DETAIL FOR END SUPPORT OF FLOOR PANELS

Copyright © Superbuild International Ltd 2013

Supercrete™

BLOCK CONSTRUCTION

Title: **Supercrete™ Block to Supercrete™ Structural Floor Junction**

Date: **September 2013**

Scale: **1 : 10**

Detail No. **BLK -4.0**

This drawing must be read in conjunction with the Supercrete Block Design Guide