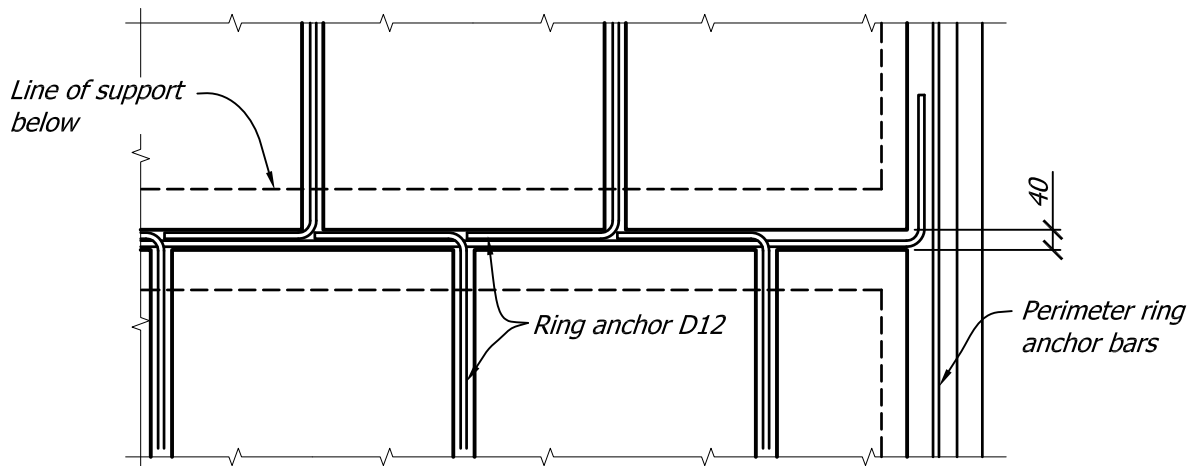
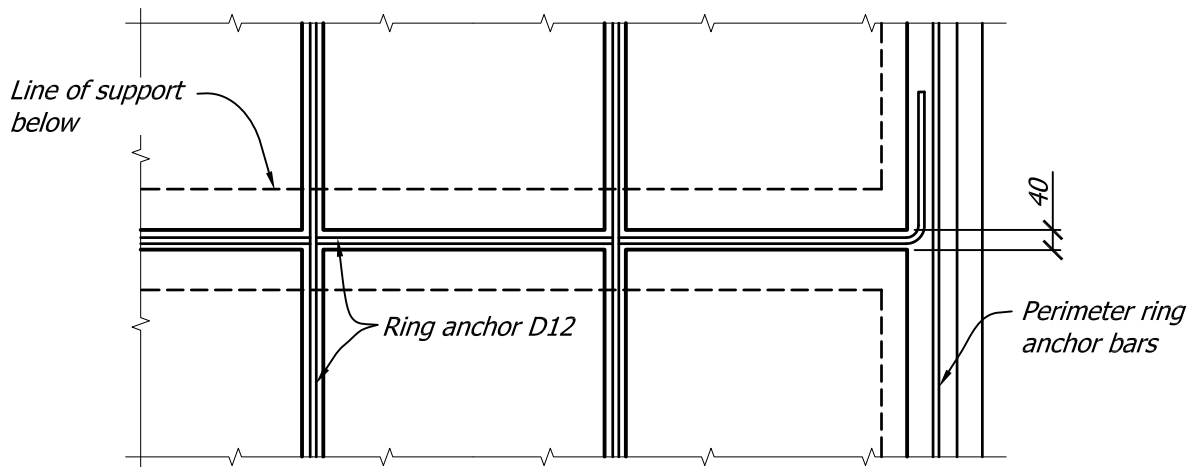


Typical Corner Ring Anchor Set-out



Setout of Ring Anchor with Panels Staggered



Setout of Ring Anchor with Adjoining Panels

Copyright © Superbuild International Ltd 2013

Supercrete™

SFP CONSTRUCTION

Title: **Structural Floor Panel
Typical Ring Anchor Set-out**

Date: September 2013

Scale: N.T.S.

Detail No. **SFP-2.0**

This drawing must be read in conjunction with all the Supercrete Structural Floor Panels Design Guide